

Adjustable Offset Sign Bracket

SMA - 2000

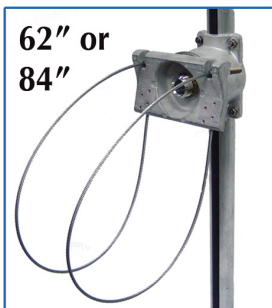


The Adjustable Offset Sign Bracket allows mounting of traffic and street signs on Traffic Pole Mast Arms which are offset to traffic. Swing design and lightweight aluminum decreases load on arms and poles. Stainless Steel springs dampen excess sign swing and keep signs from blowing out of view. Unique design of castings incorporates 180 serrated interlocking cast teeth, to maintain positive engagement of adjustability.

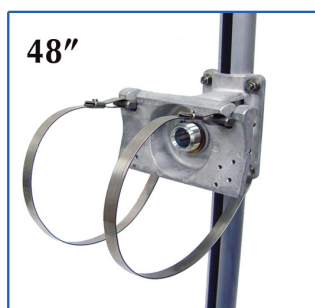


Please Specify Type Of Rigid Mast Arm Mount:

1. Cable Type



2. Band Type



The Perfect tools for the job!!



**General
Traffic
Equipment
Corporation**

259 Broadway, Newburgh, NY 12550

(845) 569-9000

TOLL FREE:

(800) 222-2828

FAX:

(845) 569-1800

EMAIL:

info@generaltrafficequip.com

www.generaltrafficequip.com

General Traffic Equipment