



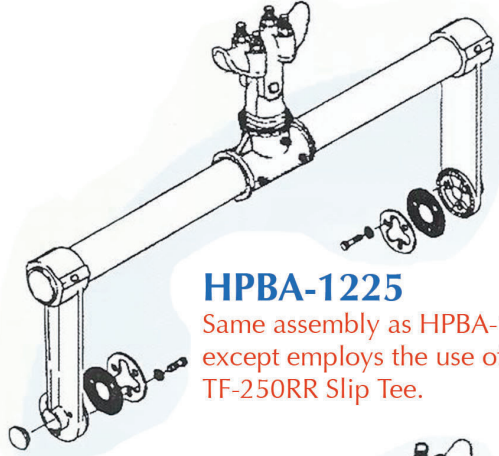
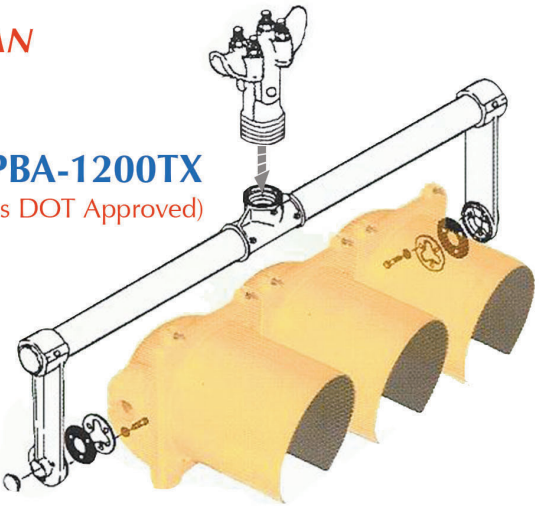
Horizontal Span Wire Assemblies



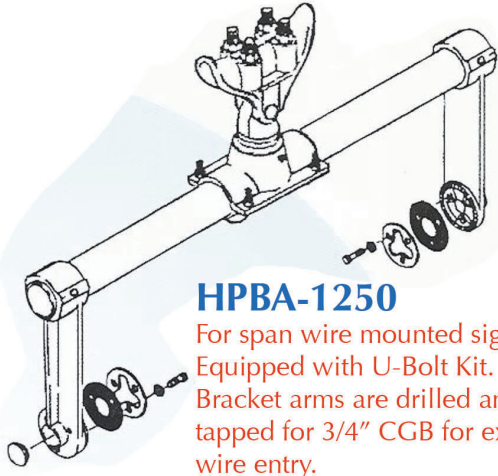
General Traffic Equipment

HORIZONTAL SPAN WIRE ASSEMBLY

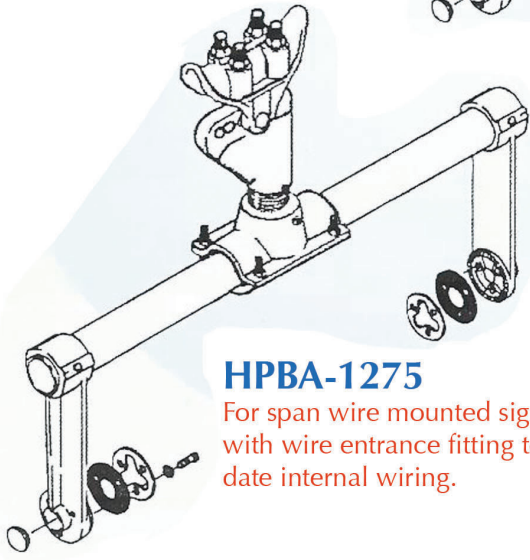
HPBA-1200TX
(Texas DOT Approved)



HPBA-1225
Same assembly as HPBA-1250 except employs the use of a TF-250RR Slip Tee.



HPBA-1250
For span wire mounted signals. Equipped with U-Bolt Kit. Bracket arms are drilled and tapped for 3/4" CGB for external wire entry.



HPBA-1275
For span wire mounted signal equipment with wire entrance fitting to accommodate internal wiring.

www.generaltrafficequip.com