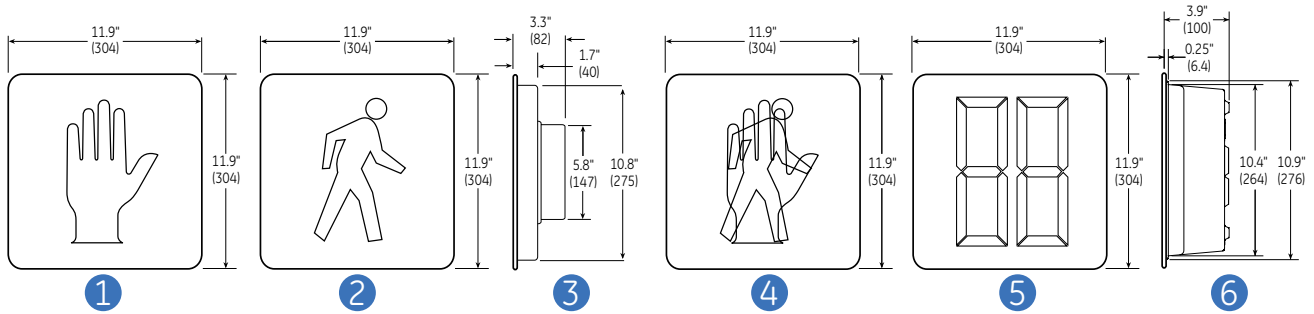


GT1™ LED Pedestrian Signals

- 12 inch module

Mechanical Outline

Dimensions in inches. (mm) indicates metric equivalent



Design Compliance

Test type	Compliance
Luminous Intensity	ITE PTC SI LED Signal Modules Draft version of Feb. 2009
Chromaticity	ITE PTC SI LED Signal Modules Draft version of Feb. 2009
Moisture Resistance	Blown Wind Rain MIL-STD-810F Test Method 506.4, Procedure 1
Mechanical Vibration	MIL-STD-883 Method 2007
Electronic Noise	FCC Title 47 Sec 15 Sub. B ¹
Transient Voltage Protection	ITE PTC SI LED Signal Modules Draft version of Feb. 2009
Controller Compatibility	Nema TS-2-2003
Wiring	NFPA 70, National Electric Code
Digits	MUTCD 2003, Section 4E.07, Countdown Numbers Minimum 9" Height & 7"

Operating Specifications

Parameter	Rating
Operating Temperature Range*	-40 to +74°C (-40 to +165°F)
Operating Voltage Range	80 to 135 V (60Hz AC)
Power Factor (PF)	> 90 %
Total Harmonic Distortion (THD)	< 20 %
Voltage Turn-Off (VTO)	35 V
Start-up Time	< 75msec
Lens & Shell Material	UV Stabilized Polycarbonate
Wiring	16 AWG, Color Coded with Strain Relief
LED Color	Hand: Portland Orange Person: Lunar White

* Performed in compliance with ITE test method described in the technical notes

Product Information

Model Number	Dimensions	Symbol	AC Voltage Nominal	Power (W) ¹	Beam Pattern Degrees	Mechanical Outline
PS6-WFM3-26A	12 in x 12 in	Full Person	120V - 60Hz	5	26	2 and 3
PS6-PFH1-26A	12 in x 12 in	Full Hand	120V - 60Hz	5	26	1 and 3
PS6-CFL1-26A	12 in x 12 in	Full Person / Full Hand / Overlay	120V - 60Hz	5	26	4 and 6
PS6-PFD1-26A	12 in x 12 in	Countdown	120V - 60Hz	5	26	5 and 6
PS6-PFD1-26A-H3 ²	12 in x 12 in	Countdown Full/Half Cycle Jumper	120V - 60Hz	5	26	5 and 6

Test Condition: T_o = 25°C. All values are design or typical values when measured under laboratory conditions.

¹ Class A

² CSA approved

Distributed by:



6180 Halle Drive • Valley View, Ohio 44125-4635, • USA
 P: 216.606.6555 • F: 216.606.6599 •
www.lumination.com • signals@lumination.com

For customer service & technical support, contact:
1-888-MY-GE-LED (1.888.694.3533)

Lumination, LLC is a subsidiary of the General Electric Company. GT1 and "The greatest signals stand the test of time" are trademarks of Lumination, LLC. The GE brand and logo are trademarks of the General Electric Company. © 2009 Lumination, LLC. Information provided is subject to change without notice. All values are design or typical values when measured under laboratory conditions.